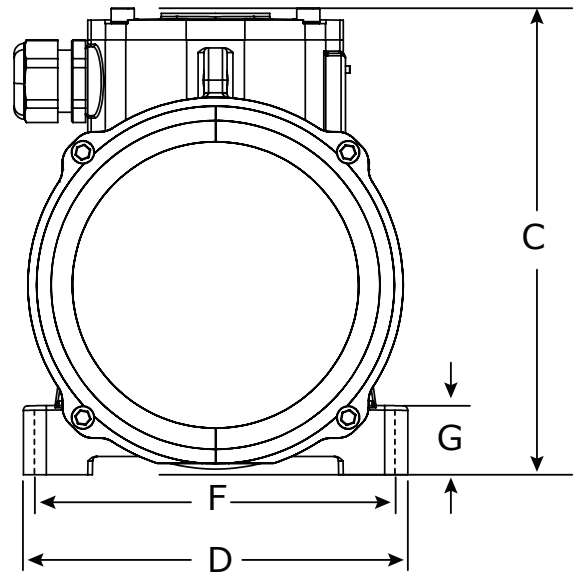
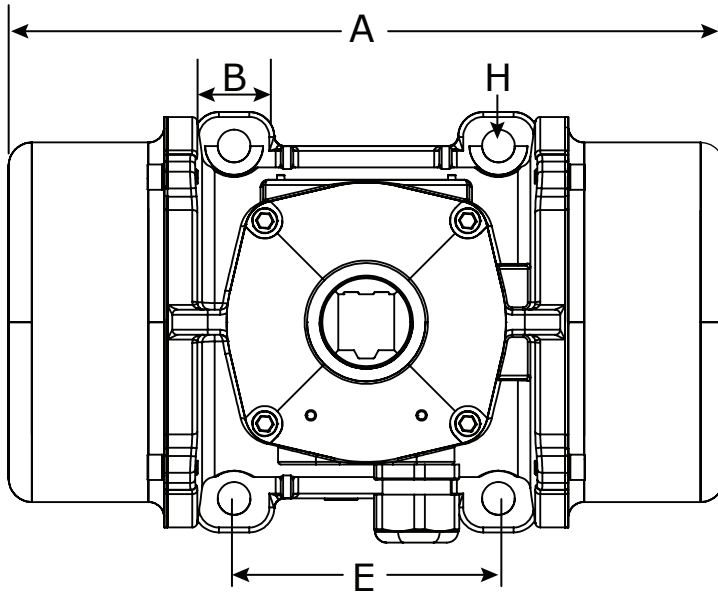
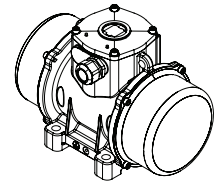




Jamieson Equipment Co.
 5314 Palmero Court | Buford, GA 30518
 678.745.3020 | 800.875.0280 (Toll Free)
 www.jamiesonequipment.com
 sales@jamiesonequipment.com



Dimensions for QT2-X Rotary Electric Vibrators

Vibrator Model	Weight	A	B	C	D	E	F	G	H
		Total Length	Foot Width	Total Height	Total Width	Bolt Hole Center Length	Bolt Hole Center Width	Foot Thickness	Bolt Hole Size
	lbs	in	in	in	in	in	in	in	in
	kg	mm	mm	mm	mm	mm	mm	mm	mm
QT2-150X	13.2	8.85	1.20	5.95	4.93	2.44-2.91	4.17	0.94	.354
	6.0	225	30.5	151	125	62-74	106	24	9.0
QT2-300X	13.2	8.85	1.20	5.95	4.93	2.44-2.91	4.17	0.94	.354
	6.0	225	30.5	151	125	62-74	106	24	9.0
QT2-450X	13.2	8.85	1.20	5.95	4.93	2.44-2.91	4.17	0.94	.354
	6.0	225	30.5	151	125	62-74	106	24	9.0
QT2-600X	19.8	10.05	1.30	6.80	6.00	3.55	4.94	1.10	.5
	9.0	255	33.0	173	152	90	125	28	13
QT2-800X	30.5	11.20	1.26	8.00	6.57	4.15	5.50	1.17	.5
	13.8	284	32.0	203	167	105	140	30	13
QT2-1000X	30.5	11.20	1.26	8.00	6.57	4.15	5.50	1.17	.5
	13.8	284	32.0	203	167	105	140	30	13